

# 904H Compact Wheel Loader Specifications

## Engine

Model	MHI S4Q2-T	
Gross Power	41 kW	55 hp
Net Power	39 kW	52 hp
SAE J1349 Rating	39 kW	52 hp
ISO 9249 Rating	39 kW	52 hp
EEC 80/1269 Rating	39 kW	52 hp
Bore	88 mm	3.5 in
Stroke	103 mm	4 in
Displacement	2.505 L	153 in <sup>3</sup>

- Engine meets Interim Tier 4 emissions regulations.
- Rated power at 2,400 rpm.

## Weights

Operating Weight	4490 kg	9,900 lb
------------------	---------	----------

## Operating Specifications

Tire Size	12-16.5, 10PR	
Rated Bucket Capacity	0.6 m <sup>3</sup>	0.8 yd <sup>3</sup>
Breakout force	35.6 kN	8,003 lb
Rated operating load @ full turn, bucket	1250 kg	2,756 lb
Straight tipping load, bucket	3000 kg	6,614 lb
Full turn static tipping load, bucket	2500 kg	5,511 lb
Rackback, transport position	49 Degrees	
Rated operating load @ full turn, forks (EN 474-3:2006, firm and level ground, 500 mm (20 in) load center) (80% of FTSTL)	1600 kg	3,527 lb
Rated operating load @ full turn, forks (EN 474-3:2006, rough terrain, 500 mm (20 in) load center) (60% of FTSTL)	1200 kg	2,646 lb

- Specifications shown are for the 904H with cab, 75 kg (165 lb) operator and general purpose bucket.

## Transmission

Travel Speed 1	7 km/h	4.3 mph
Travel Speed 2	20 km/h	12.4 mph

## Cab

ROPS	SAE J1040 MAY94, ISO 3471:1994	
FOPS	SAE J/ISO 3449 APR98 Level I and II; ISO 3449:1994 Level I and II	

## Hydraulic System

Main relief	207 bar	3,000 psi
3rd valve flow	83 L/min	22 gal/min
Hydraulic cycle time – lift	4.5 seconds	
Hydraulic cycle time – dump	0.8 seconds	
Hydraulic cycle time – lower, float	3.2 seconds	

## Service Refill Capacities

Cooling System	8 L	2 gal
Fuel tank	83 L	22 gal
Hydraulic system	43 L	11 gal
Engine Oil	7.5 L	2 gal

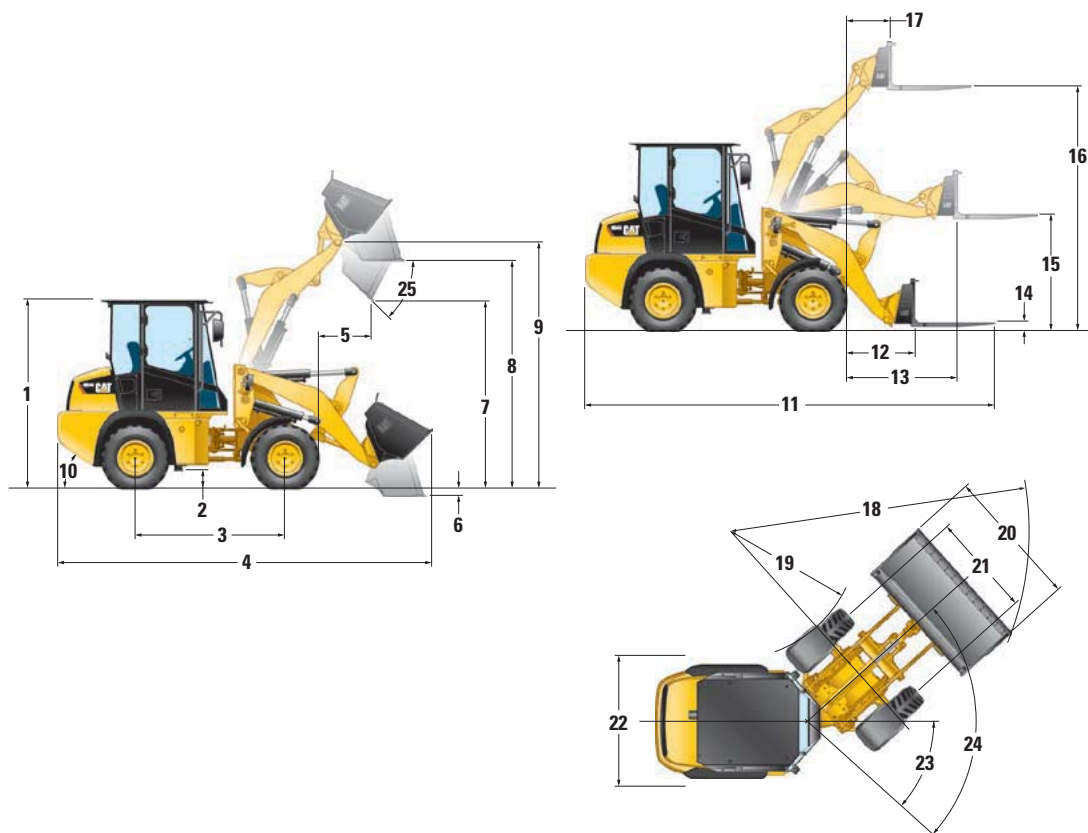
## Buckets

Bucket Capacities	0.6 m <sup>3</sup> - 1.0 m <sup>3</sup>	0.8 yd <sup>3</sup> - 1.3 yd <sup>3</sup>
-------------------	--	--

# 904H Compact Wheel Loader Specifications

## Dimensions

All dimensions are approximate. Dimensions may vary with bucket. Refer to Operating Specifications.



1	Cab Height	2390 mm	7 ft 10 in
2	Ground Clearance	245 mm	9.6 in
3	Wheelbase	1900 mm	6 ft 3 in
4	Overall Length with Bucket	4695 mm	15 ft 5 in
5	Reach at Maximum Dump Height	665 mm	2 ft 2 in
6	Dig Depth	90 mm	3.6 in
7	Maximum Dump Height	2380 mm	7 ft 10 in
8	Load Over Height	2885 mm	9 ft 6 in
9	Hinge Pin at Maximum Height	3110 mm	10 ft 2 in
10	Departure Angle (degrees)		35°
11	Overall Length with Forks	5250 mm	17 ft 3 in
12	Reach at Ground Level	855 mm	2 ft 10 in
13	Maximum Reach	1380 mm	4 ft 6 in
14	Fork Depth Above Ground	95 mm	3.7 in
15	Fork Height at Maximum Reach	1450 mm	4 ft 9 in
16	Maximum Fork Height	3075 mm	10 ft 1 in
17	Fork Reach at Maximum Height	560 mm	1 ft 10 in
18	Turning Radius Over Bucket	3850 mm	12 ft 8 in
19	Turning Radius Inside Tire	1675 mm	5 ft 6 in
20	Width Over Bucket	1780 mm	5 ft 10 in
21	Tire Gauge	1330 mm	4 ft 4 in
22	Machine Width	1645 mm	5 ft 5 in
23	Articulation Angle		42°
24	Steering Angle – Left/Right		84°
25	Dump Angle at Maximum Height		44°

## Maximum Material Densities

Based on ISO 7546:1983 and rated operating loads at full turn.

Bucket Type		General Purpose	Multi Purpose	Light Material
Rated capacity	m <sup>3</sup> (yd <sup>3</sup> )	0.6 (0.8)	0.6 (0.8)	1.0 (1.3)
Dump height	mm (in)	2380 (94)	2380 (94)	2205 (87)
Maximum material density	kg/m <sup>3</sup> (lb/yd <sup>3</sup> )	2095 (3,531)	1995 (3,362)	1195 (2,014)
Bucket width	mm (in)	1780 (70)	1770 (70)	1880 (74)

## Cab Features

	Comfort Cab	Canopy
<b>Standard Cab Features</b>		
Left side door	●	
Fixed steering column	●	●
Vinyl static seat	●	●
Left window – sliding top section	●	
Heated rear window	●	
Coat hook	●	●
Cabin light	●	
Internal mirror	●	●
Heater	●	
Storage tray and cup holder	●	●
Right window with holdback latch	●	
<b>Optional Cab Features</b>		
Radio ready kit (wiring, speaker, antenna and grill)	●	
Sun visor	●	●
External mirrors (2)	●	●
Air conditioning	●	
Vinyl suspension seat	●	●
Cloth suspension seat	●	